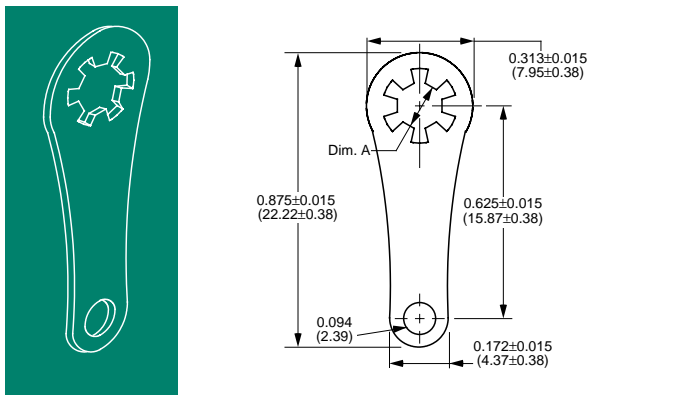
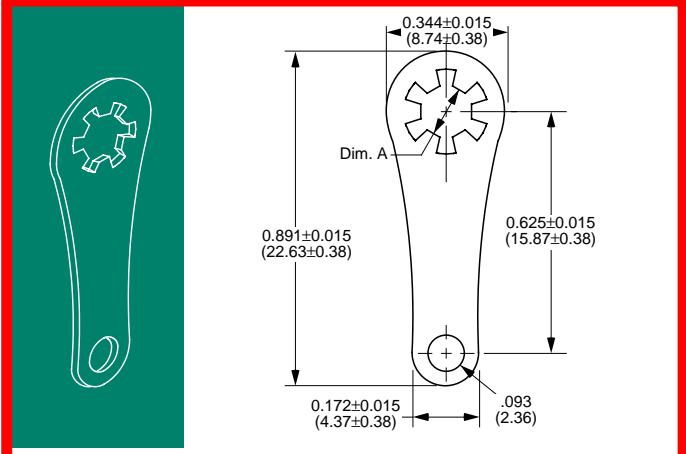


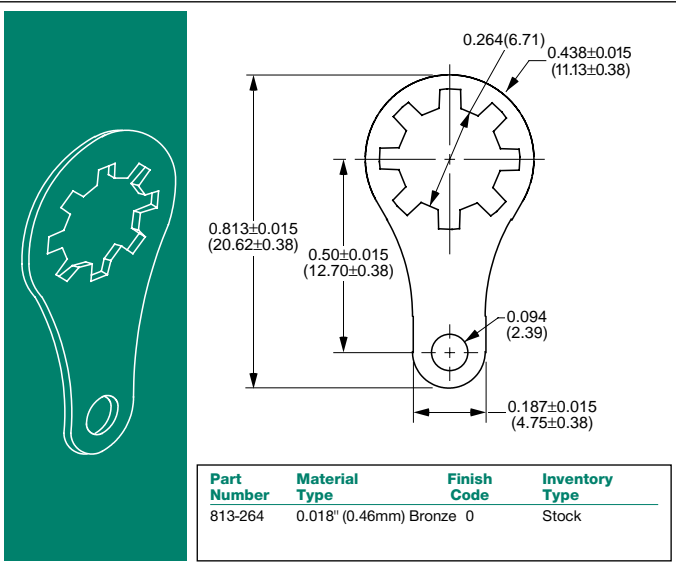
Lockwasher Terminals



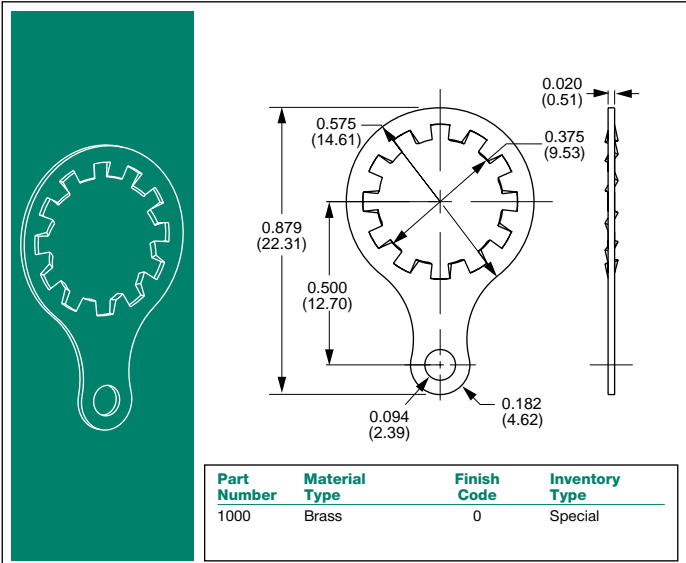
Part Number	Material Type	Finish Code	Inventory Type	Dim. 'A'
801-120	0.018" (0.46mm) Bronze	0	Special	0.115"/0.123" (2.92mm/3.12mm)
801-144	0.018" (0.46mm) Bronze	0	Stock	0.141"/0.150" (3.58mm/3.81mm)
801-169	0.018" (0.46mm) Bronze	0	Stock	0.168"/0.176" (4.27mm/4.47mm)
MS 77070-1	0.018" (0.46mm) Bronze	MS	Special	0.115"/0.123" (2.92mm/3.12mm)
MS 77070-2	0.018" (0.46mm) Bronze	MS	Special	0.141"/0.150" (3.58mm/3.81mm)
MS 77070-3	0.018" (0.46mm) Bronze	MS	Special	0.168"/0.176" (4.27mm/4.47mm)



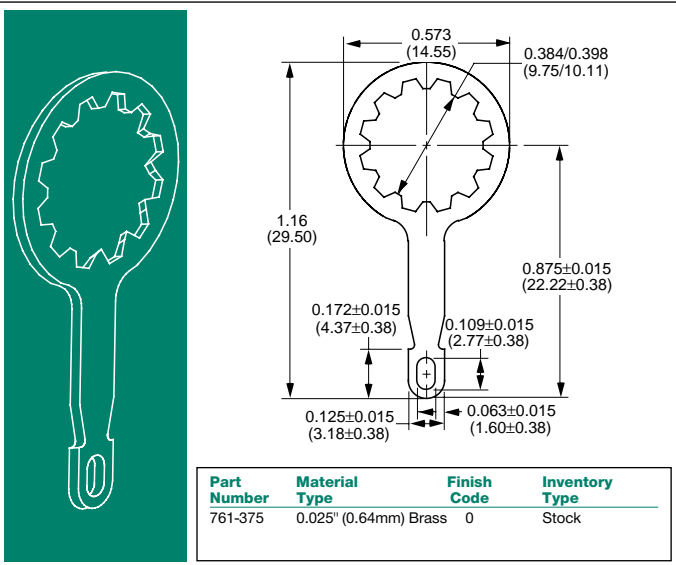
Part Number	Material Type	Finish Code	Inventory Type	Dim. 'A'
806-196	0.018" (0.46mm) Bronze	0	Stock	0.196" (4.98mm)
MS 77070-5	0.018" (0.46mm) Bronze	MS	Special	0.196" (4.98mm)



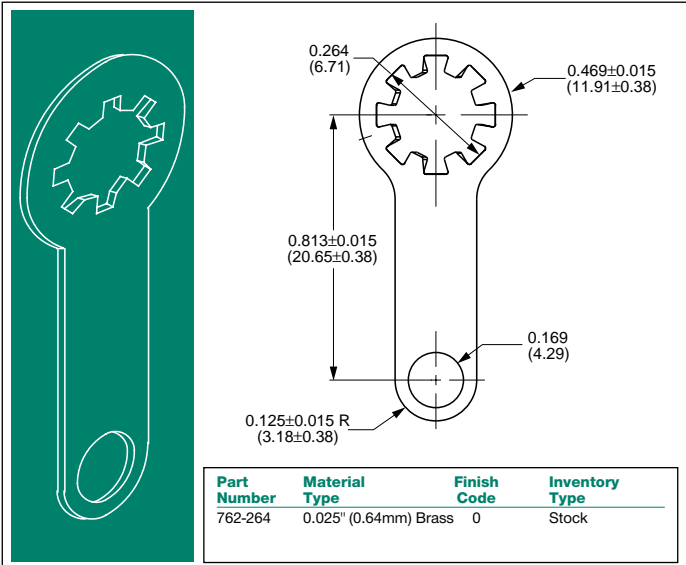
Part Number	Material Type	Finish Code	Inventory Type
813-264	0.018" (0.46mm) Bronze	0	Stock



Part Number	Material Type	Finish Code	Inventory Type
1000	Brass	0	Special



Part Number	Material Type	Finish Code	Inventory Type
761-375	0.025" (0.64mm) Brass	0	Stock



Part Number	Material Type	Finish Code	Inventory Type
762-264	0.025" (0.64mm) Brass	0	Stock