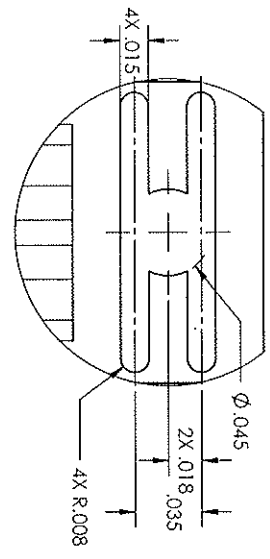
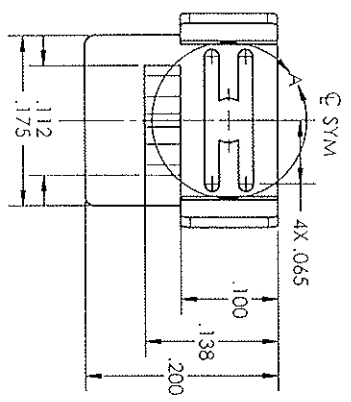
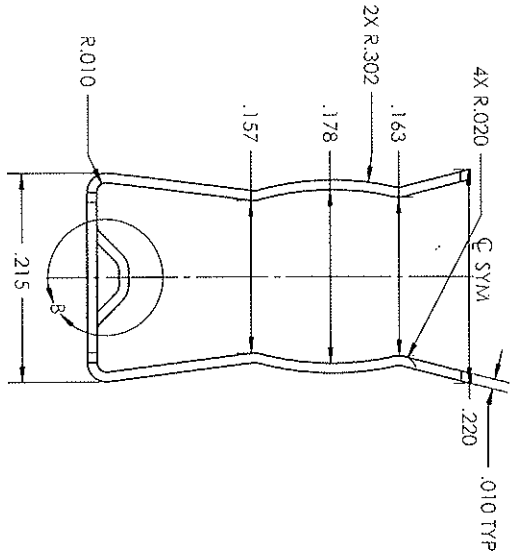
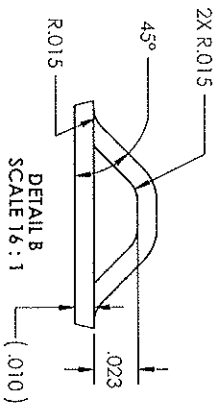
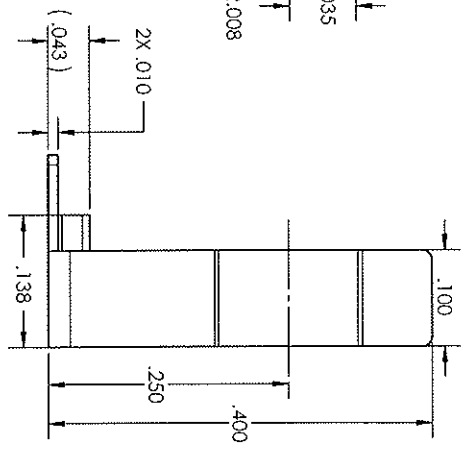


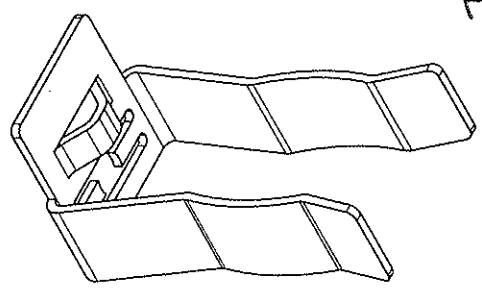
- GENERAL NOTES: UNLESS OTHERWISE SPECIFIED**
1. MATERIAL: 300 SERIES STAINLESS STEEL, 1/2 HARD, CERTIFICATION REQUIRED.
 2. MAX BURR: 0.005.
 3. CORNER AND FILET RADII: 0.015 MAX, UNLESS OTHERWISE NOTED.
 4. PASSIVATE PER ASTM A-967, (MIL-0252 FOR INTERNAL USE), CERTIFICATION REQUIRED.
 5. PACKAGING: DOUBLE POLYBAGS.



DETAIL A
SCALE 16:1



DETAIL B
SCALE 16:1



TUBE CLIP Rev X-01

REVISIONS							
LR	DESCRIPTION	D.C.N.	DATE	MODIFIED BY	REV BY	CHK'D BY	APPROVED
A	ORIGINAL RELEASE						